

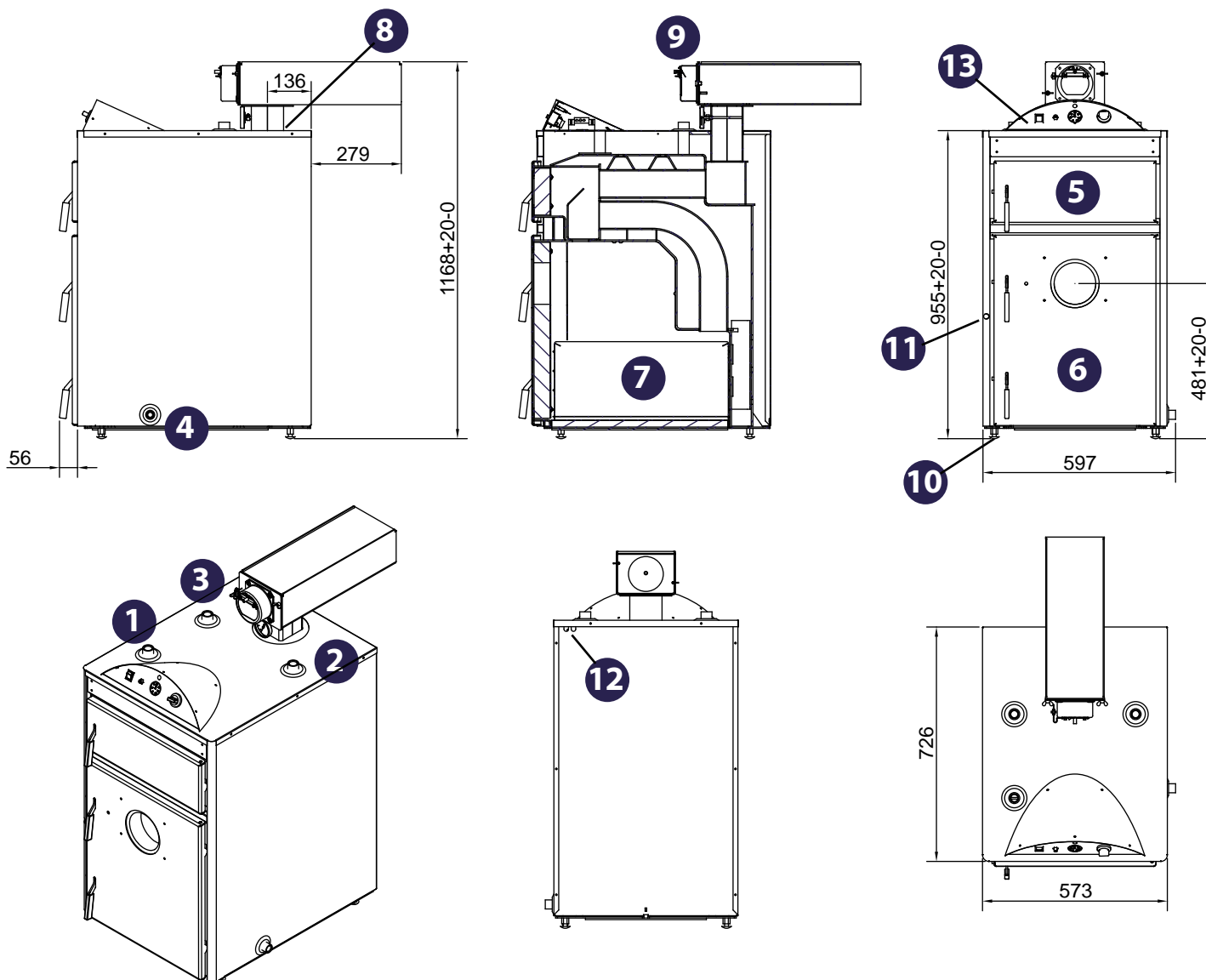


Pellmax

Pellmax is a charging boiler used in systems with the Elomax 250/450 or an accumulator tank.

This compact boiler is only 95 cm high and very easy to manage. The boiler is highly efficient and guarantees good fuel economy. Combined with the Viking Bio pellet burner Pellmax will give you a highly economical system which is easy to service and requires minimal maintenance.

Pellmax works well in a system with Elomax 250/450 with or without solar panels. The Pellmax also charges a large accumulator very efficiently. Pellmax's small water volume heats up rapidly before its going to be stored in the buffer, ready to be used when the heating circuits are active.



Technical data Värmebaronen Pellmax

Height 955 mm

Width 575 mm plus drain valve

Depth 730 mm

Combustion chamber volume 110 litre

Chimney requirement Ø 100 mm, height 2 m, draught <15 Pa

Smoke outlet upwards

Rated power 20 kW, pellets

Water volume 80 litre

Weight 216 kg

Complete delivery

Angled flue with lockable draught regulator

Chimney sweeping tools with hanging bracket

Flue gas thermometer

Drain valve

1. Supply pipe DN 20 internal.

2. Return pipe DN 20 internal.

3. Safety valve/Vent /Expansion tank DN 20 internal.

4. Union for drain valve

5. Cleaning hatch

6. Pellet burner hatch

7. Ash box, 35 litre

8. Flue connection

9. Angled flue with draught regulator

10. Adjustable foot bolts

11. Cable duct for burner cable

12. Cable ducts for circ.pump and incoming electricity

13. Control panel